

RC832 Modular PDH Fiber Optical Multiplexer

RC832-120L, RC832-120L-BL Four E1 Fiber Optical Multiplexer

Main Feature	<p>Four E1 ports, and one optical port</p> <p>RC832-120L has a DB37 connector for four 75ohm unbalanced E1 ports</p> <p>RC832-120L-BL has dual RJ45 connector for four 120ohm balanced E1 ports</p> <p>ALS(Auto-Laser-Shutdown) function</p> <p>Dying Gasp (remote power-off indication) function</p> <p>Local and remote alarm indicator</p> <p>Local and remote loop-back function</p> <p>Local and remote management</p>
Optical Port	<p>Code: Scrambled NRZ</p> <p>150Mbps, SC or FC connector</p>
E1 Port	<p>Data rate: 2048Kbps±50ppm</p> <p>Code: HDB3</p> <p>Port:</p> <p>75ohm unbalanced (RC832-120L, DB37 interface, cable adapts to 8 BNC female connector)</p> <p>120ohm balanced (RC832-120L-BL, four E1 ports in dual RJ45 interface)</p> <p>Complied with ITU-T G.703, G.704 and G.823 recommendation</p>
Power Consumption	<6W
Ambience	<p>Working temperature: 0~45 degree centigrade</p> <p>Working humidity: <= 90% (25 degree centigrade)</p> <p>Storage temperature: -40~80 degree centigrade</p> <p>Storage humidity: 5%~90% (non-condensing)</p>
Dimension and Weight	<p>RC832-120L: module 91*50*172 mm (W*H*D) It take 2 slots in RC002-16 or RC001-1D chassis 0.2Kg</p> <p>RC832-120L-BL: module 91*25*172 mm (W*H*D) It take single slot in RC002-16, RC002-4, RC001-4, RC001-1M, or RC001-1 chassis 0.13Kg</p>



RC832-120L

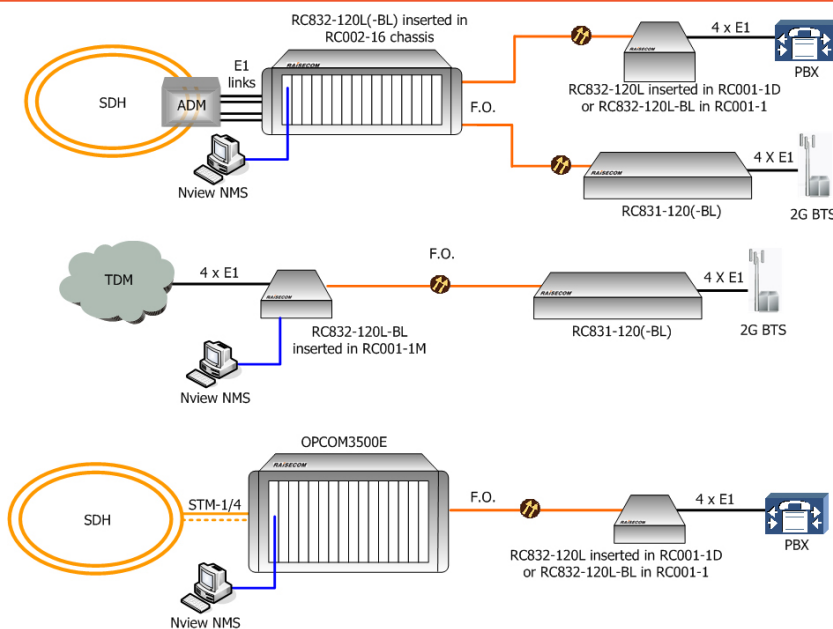


RC832-120L-BL

Deployment Chassis

RC002-16	16 slot chassis, 3U high optional SNMP management
RC002-4	4 slot chassis, 1U high with SNMP management
RC001-4	4 slot chassis, 1U high without SNMP management
RC001-1M	1 slot chassis, with SNMP management
RC001-1	1 slot chassis, without SNMP management
RC001-1D	1 slot chassis (2slot width), without SNMP management

Application



Compliance

Standards & protocols	CE certification; UL certification.
-----------------------	--