

RC001-2M dual-slot network-manageable chassis

RC001-2M is a dual-slot chassis with in-built SNMP management module. It is designed for telecom carrier and important enterprise user in the field of finance, electric power, petroleum industry, and etc. Fixed in RC001-2M, modular media converters, PDH multiplexers, interface converters, G.SHDSL modems and other modules designed for 2 slots become stand-alone and network-manageable equipments. The SNMP agent module built in RC001-2M realizes network management function like

configuration management, diagnostics, loop activation, monitoring and fault management. There is one console port, one Ethernet port and two slot for two units of individual single-slot width modular device or one unit of 2-slot width modular device on the front panel. The AC and DC power supply connectors on the rear panel of RC001-1M provides users with the flexibility of using AC power supply, or DC power supply or both of them.



RC001-2M Front Panel



RC001-2M Rear Panel

Feature

Power Supply	Single AC power supply, or single DC power supply, or both AC and DC power supply with two individual connectors or a auto-sensing connector
Power Protection	overcurrent protection, short circuit protection, overheat protection
Slot Number	2 slots
InterfaceType	1 SNMP interface for network management 1 CONSOLE interface for initial configuration of SNMP
Network Management	network management over the service module in the RC001-2M and the device on the opposite side of the communication

Specifications

Dimension	320x65x200mm(WxHxD)
Power Supply	AC 100~240V,0.35A,50/60Hz DC -48V,0.6A
Power Consumption	less than or equal to 15W
Working Temperature	0~45 degree Celsius
Humidity	5%~95%
Storing Temperature	-40~70 degree Celsius

Compliance

Standards	CE and UL
------------------	-----------

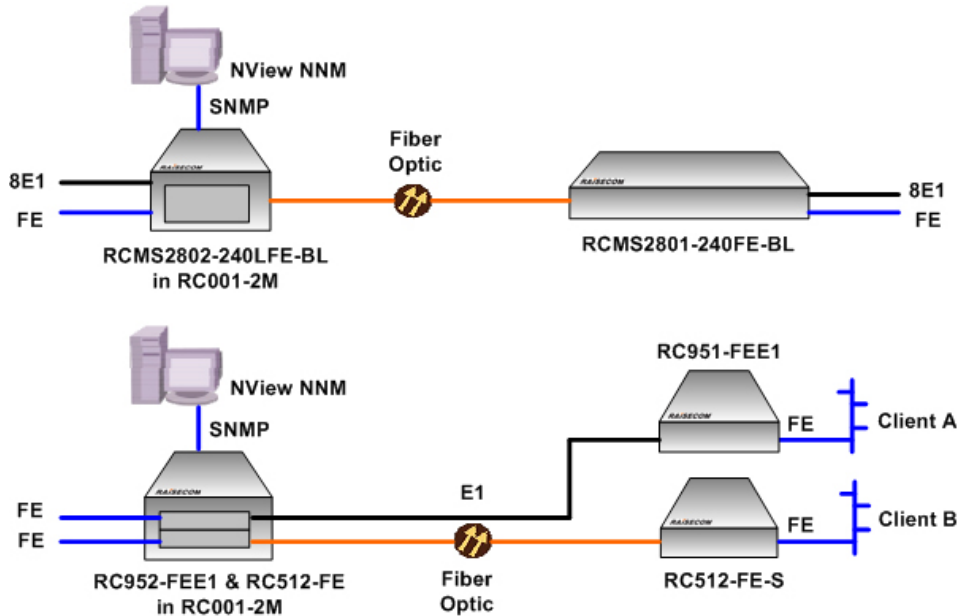


Ordering Information

RC001-2M-ACDC	Dual-slot chassis, with in-built SNMP network management agent module, 1 AC and 1 DC power supply connectors
RC001-2M-WP	Dual-slot chassis, with in-built SNMP network management agent module, 1 AC/DC auto-sensing power supply connector
RC001-2M-AC	Dual-slot chassis, with in-built SNMP network management agent module, AC power supply
RC001-2M-DC	Dual-slot chassis, with in-built SNMP network management agent module, DC power supply

RC001-2M dual-slot network-manageable chassis

Typical Application



Dual-slot-width service modules working and managed in RC001-2M (02/2008)

RC8xx series PDH multiplexers

RCMS series Multi-service PDH multiplexers

RC9xx series Ethernet over PDH(E1s) inverse multiplexers

One-slot-width service modules working and managed in RC001-2M (02/2008)

RC1xx~RC6xx series media converters

RC8xx series PDH modem and multiplexers

RCMS series Multi-service PDH multiplexers

RC9xx series Ethernet over E1(s), Ethernet over DS3/E3, Ethernet over V.35, V.35 to E1 interface converters and inverse multiplexers

OPCOM200 series CWDM modular equipments

RC1102 series G.SHDSL modems