

RC001-1D single-slot chassis

RC001-1D is a single-slot chassis designed for service modules that take up 2 slots in RC002-16. It is applicable for telecom carrier and important enterprise user in the field of finance, electric power, petroleum industry, and etc. To provide high service capacity, some of Raisecom's modular devices, including Ethernet to 4/8E1 interface converters, PDH multiplexers providing 4/8 E1 channels, and multi-service multiplexers providing 4/8/16 plus 1 Ethernet

service, occupies 2 slots in RC002-16. Fixed in RC001-1D, these modular devices become stand-alone equipments, and can be either placed on table or mounted on wall or rack with accessories. The employment of power supply connector depends on user's need. Except for traditional connector for AC or DC power supply, a option of connector for wide-range power supply is provided.



RC001-1D Front Panel

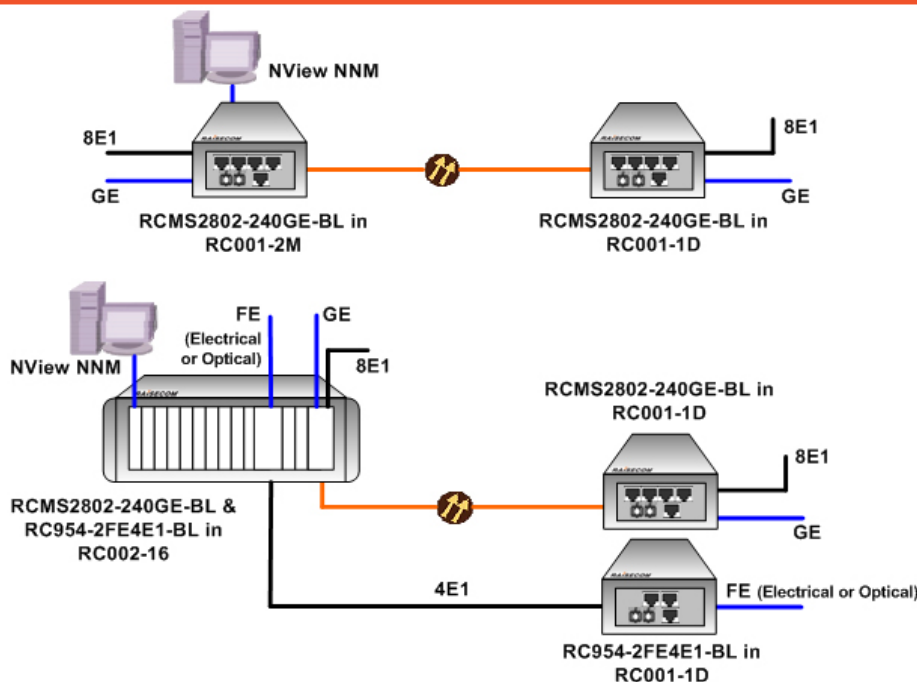
Feature

Power Supply Connector	AC power supply connector for AC power supply or DC power supply connector for DC power supply or WP power supply connector adapted to the factual power supply (AC or DC) automatically
Power Protection	overcurrent protection
Slot Number	1 slot, with the width of 2 slot of RC002-16

Ordering Information

RC001-1D-AC	single-slot chassis, with a connector for AC power supply
RC001-1D-DC	single-slot chassis, with a connector for DC power supply
RC001-1D-WP	single-slot chassis, with a connector automatically adapted to the factual power supply (AC or DC)
Rack-Mount Tray	accessory for fixing RC001-1D on to 19-inch rack
Rack-Mount Angle	accessory for fixing RC001-1D on to 19-inch rack
Wall-Mount Angle	accessory for mounting RC001-1D on wall

Application



Specifications

Dimension	158x64x200mm(WxHxD)
Power Supply	AC 100~240V, 50/60Hz DC -36V~-72V
Power Consumption	less than or equal to 15W
Working Temperature	-5~55 degree Celsius
Humidity	5%~95%
Storing Temperature	-40~70 degree Celsius

Compliance

Standards	CE and UL
------------------	-----------



Service Modules in RC001-1D

Ethernet to E1 Interface Converters	RC954-FE(FX)4E1, RC954-2FE4E1-BL, RC954-2FE8E1-BL
PDH Multiplexer	RC832-120L, RC832-240L(-BL)
Multi-Service PDH Multiplexer	RCMS2802-120GE-BL, RCMS2802-240GE-BL, RCMS2802-480GE-BL, RCMS2802-120LFE(-BL), RCMS2802-240LFE(-BL), RCMS2802-120LGE(-BL), RCMS2802-240LGE(-BL)